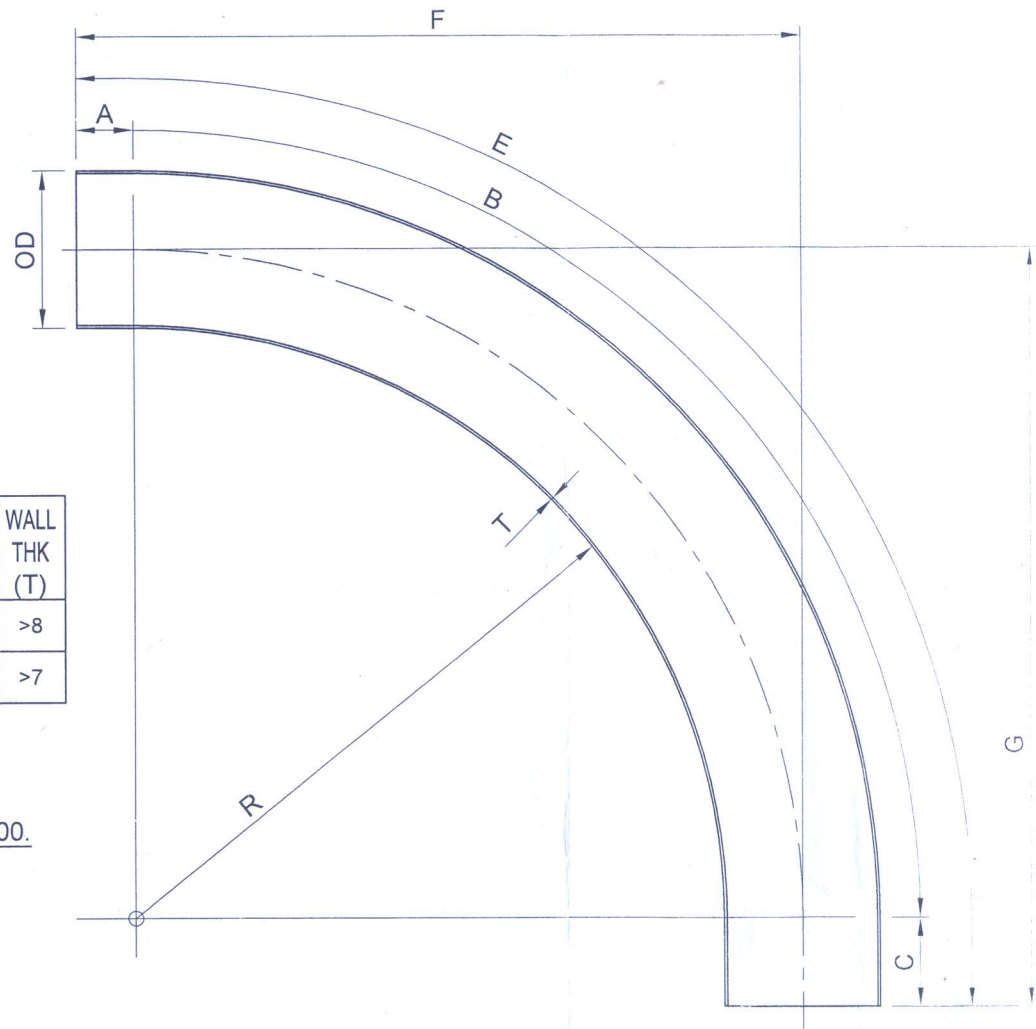


SR. NO	NOMINAL BORE	OUTSIDE DIA (OD)	RADIUS (R)	(A)	(B)	(C)	(E)	(F)	(G)	WALL THK (T)
1	NB 400	406.4	1558	150	3097	235	3482	1915	2000	>8
2	NB 300	323.9	983	300	2053	355	2708	1445	1500	>7

SPECIFICATION:
 MS ERW Black pipes as per IS:3589 Gr. FE-410, size NB400 / NB300.

NOTE:
 1. ALL DIMENSIONS ARE IN MM.



MORMUGAO PORT TRUST
 ENGG. MECH. DEPT.

**SUCTION LINE ELBOW FOR FIRE FIGHTING PUMP
 HOUSE AT BERTH NO. 8**

DATE	14-11-2017	DRG. NO.	20171016-1	REV.	1	Sheet	1/1
SCALE	N.T.S						